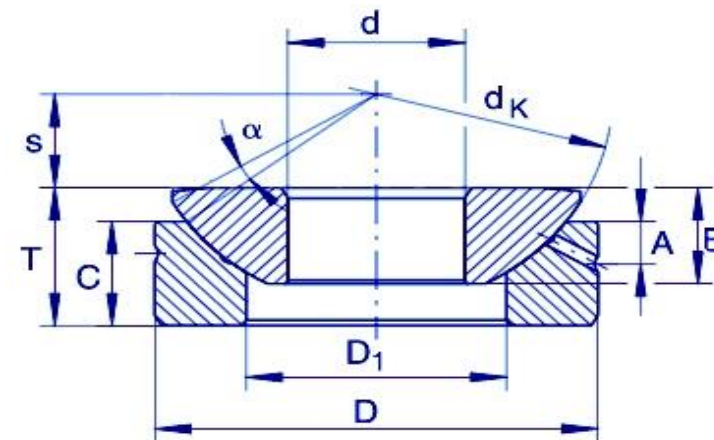




GE..SX Series ANGULAR CONTACT SPHERICAL PLAIN BEARINGS



PART NUMBER	Dimensions (mm)								Load Rating (kN)		Misalignment Angle ° (α)	Weight kg
	d	D	T	dK	D1	B	C	s	Dynamic	Static		
GE25SX	25	47	15	42.0	31.4	15.0	14.0	1.0	50	250	2.5	0.135
GE28SX	28	52	16	47	35.7	15.0	15.0	1.0	60	300	2.0	0.178
GE30SX	30	55	17	50	36.1	17.0	15.0	2.0	63	315	4.5	0.210
GE35SX	35	62	18	56	42.4	18.0	16.0	2.0	78	390	4.0	0.270
GE40SX	40	68	19	62	46.8	19.0	17.0	1.5	92	463	3.5	0.325
GE45SX	45	75	20	69	52.9	20.0	18.0	1.5	108	540	3.0	0.415
GE50SX	50	80	20	74	59.1	20.0	19.0	4.0	123	618	1.5	0.455
GE55SX	55	90	23	82	62.0	23.0	20.0	4.0	14	721	4.0	0.675
GE60SX	60	95	23	89	68.1	23.0	21.0	5.0	163	817	2.5	0.725
GE65SX	65	100	23	94	75.6	23.0	22.0	5.0	180	905	1.0	0.765
GE70SX	70	110	25	102	82.2	25.0	23.0	7.0	206	1030	2.0	1.060
GE80SX	80	125	29	115	90.5	29.0	25.5	10.0	258	1290	3.5	1.505
GE90SX	90	140	32	129	103.3	32.0	28.0	11.0	316	1580	3.5	2.100
GE100SX	100	150	32	141	114.3	32.0	31.0	12.0	384	1923	1.5	2.310
GE110SX	110	170	38	155	125.8	38.0	34.0	15.0	463	2318	3.0	3.800
GE120SX	120	180	38	168	135.4	38.0	37.0	17.0	547	2735	0.5	4.000